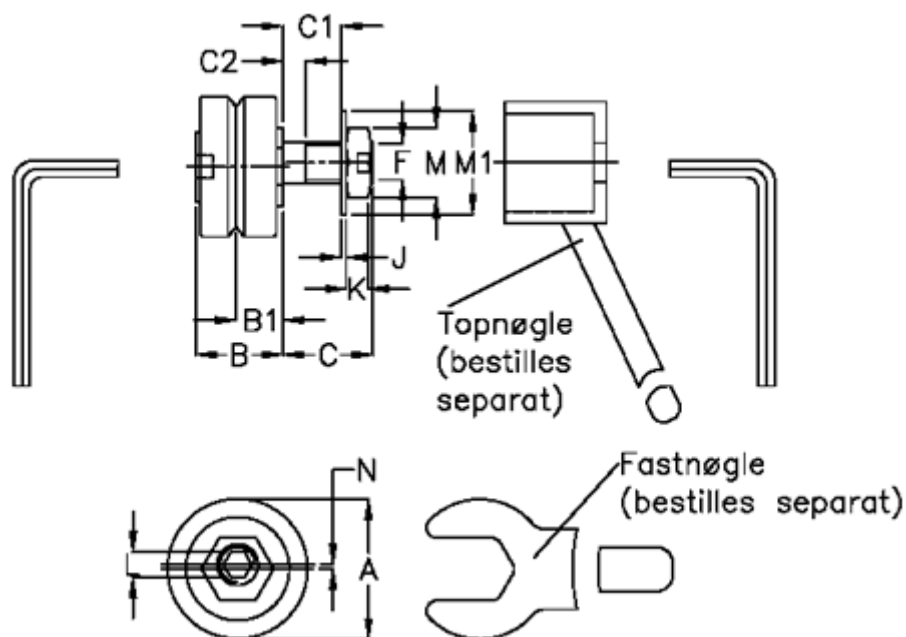


Article number: 0591320413

Description: Hepco SL2 stainless bearing SS LJ 13E-NS

Measures



a = 12.7	K = 2
B = 10.1	L = -
B1 = 5.46	M = 7
C = 9.5	M1 = 9
C1 = 6	N = 0.50
C2 = 2.5	Weight kg/1000 = 8
F = M4 x 0,5	
J = 0.80	